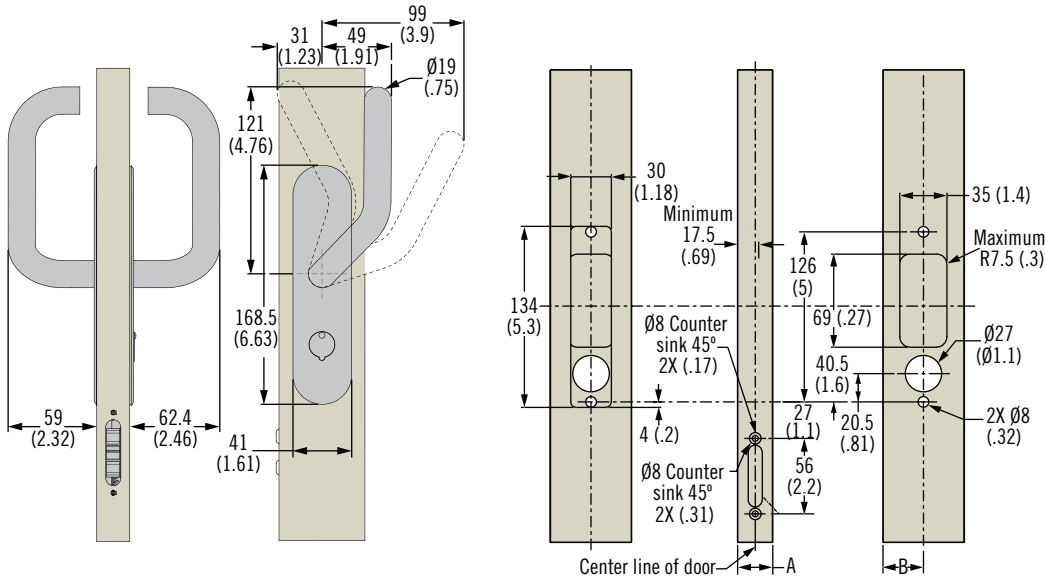


MM Star Slider Entry Door Latch

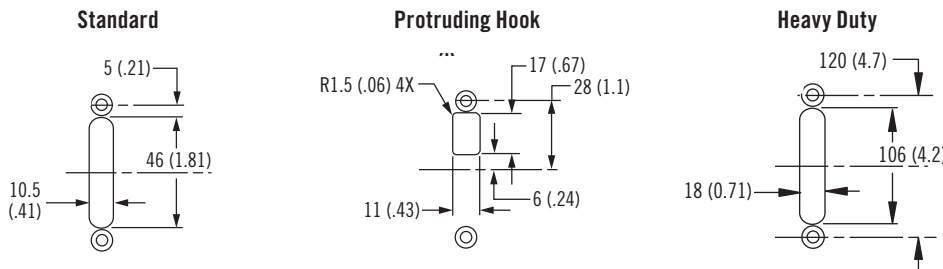
Handle style



Panel Preparation



Latch Module Options



Star Slider Part Numbers			
Latch Module	Door thickness (A)		
	23 (0.93) - 28.5 (1.12)	28.5 (1.12) - 33.5 (1.32)	33.5 (1.32) - 38 (1.50)
Standard	MM-03-131-14-10	MM-03-132-14-10	MM-03-133-14-10
Protruding hook	MM-03-331-14-10	MM-03-332-14-10	MM-03-333-14-10
Standard top stop feature	MM-03-431-14-10	MM-03-432-14-10	MM-03-433-14-10
Heavy Duty	MM-03-531-14-10	MM-03-532-14-10	MM-03-533-14-10
Protruding hook, top stop feature	MM-03-631-14-10	MM-03-632-14-10	MM-03-633-14-10

Star Slider Accessories	
Mounting tool for striker	MM-90-103-41
Top Stop	MM-7521
Ramp for top stop	MM-90-201-60

- Superior Star Key Lock™ capability provides enhanced three-axis pin tumbler security
- A one-piece pivot actuation latch with integrated lock mechanism provides reliable performance and a smooth, ergonomic feel in use
- Pivot handle on both sides
- Top-stop latching feature provides option to secure door in the full open, full closed, or partially open positions, prevents accidental closing even in rough seas
- Designed for doors in stainless steel and aluminum extrusions

Material and Finish

Escutcheon: Aluminum,
Privacy Knob: Brass, chrome plated



MM Star Slider Entry Door Latch

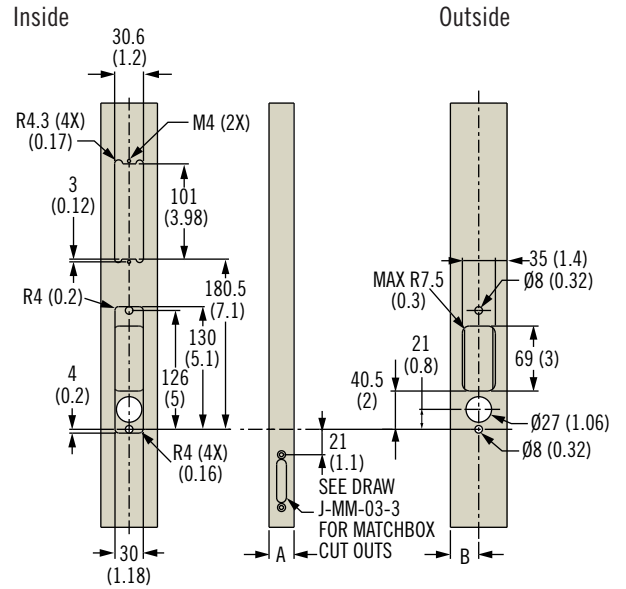
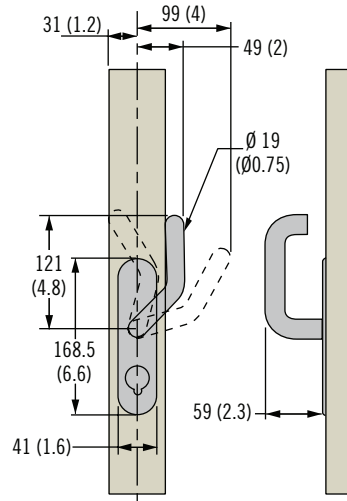
Flush inside style

- Superior Star Key Lock™ capability provides enhanced three-axis pin tumbler security
- A one-piece pivot actuation latch with integrated lock mechanism provides reliable performance and a smooth, ergonomic feel in use
- Flush version with pivot handle on the outside and flush handle on the inside
- Top-stop latching feature provides option to secure door in the full open, full closed, or partially open positions, prevents accidental closing even in rough seas
- Designed for doors in stainless steel and aluminum extrusions

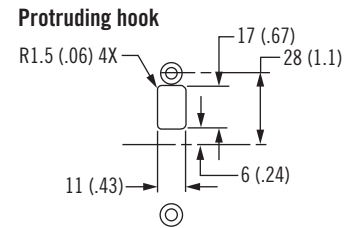
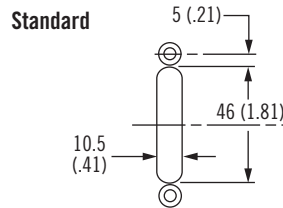
Material and Finish

Escutcheons, outside plate:
Aluminum, chrome plated

Panel Preparation



Latch Module Options



Slider Part Numbers - Flush inside version			
Latch Module Locking Mechanism	Door Thickness (A)		
	23 (.9) - 28.5 (1.12)	28.5 (1.12) - 33.5 (1.32)	33.5 (1.32) - 38 (1.50)
Standard. Star Slider chrome. Offset handle and flushed inside handle.	MM-03-131-XX-10	MM-03-132-XX-10	MM-03-133-XX-10
Star Slider chrome. Offset handle and flushed inside handle. Protruding hook.	MM-03-331-XX-10	MM-03-332-XX-10	MM-03-333-XX-10

XX = 15 for port closing door
XX = 16 for starboard closing door

Star Slider Accessories	
Mounting tool for striker	MM-90-103-41
Top Stop	MM-7521
Ramp for top stop	MM-90-201-60