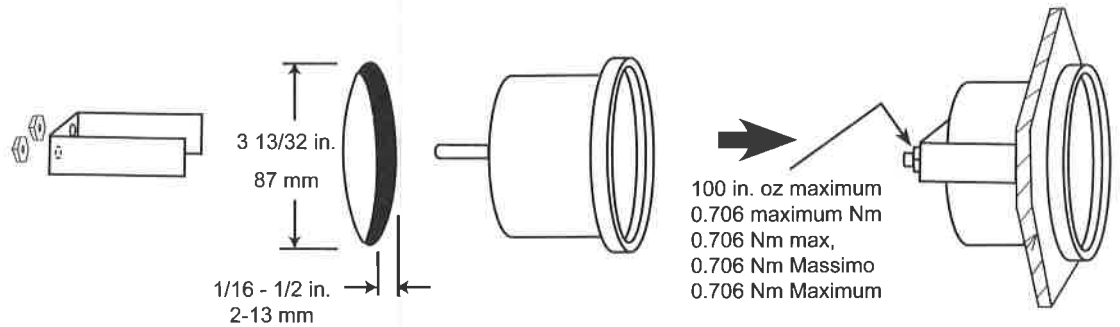


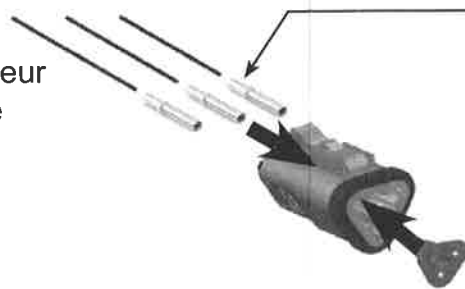
1. Install

Installation
 Verkabelung
 Installi
 Instale



2. Wire Connection

Branchement connecteur
 Installieren Sie Drähte
 Installi connettore
 Connector de insta



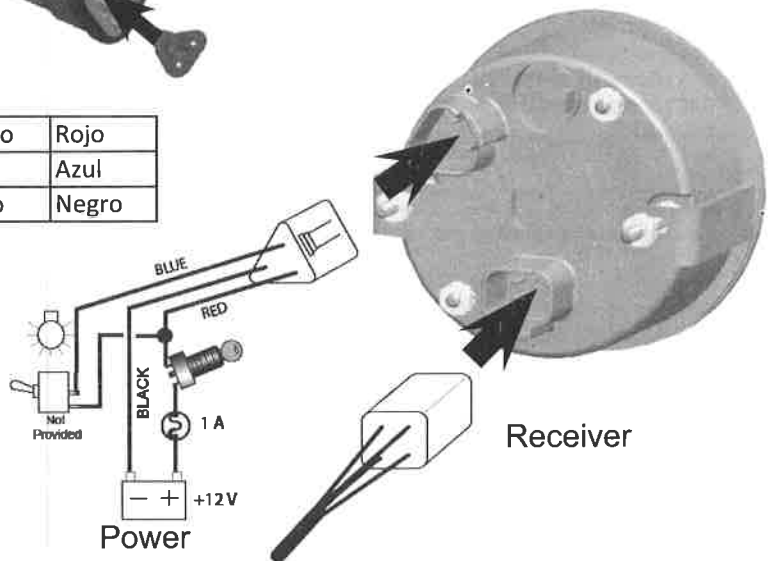
Crimp Terminal on Wire, then insert thru connector.
 Sertir les broches sur les fils et insérer dans le connecteur.
 Die Anschlussklemmen mit dem Kabel verbinden, dann die Anschlussklemmen durch den Verbindungsstecker führen.
 Pigi Terminali su cavo, poi inserisca in connettore.
 Unidad terminal de formulario sobre el cable E Insertar into conector.



Pin A	Red	Rouge	Rot	Rosso	Rojo
Pin B	Blue	Bleu	Blau	Blu	Azul
Pin C	Black	Noir	Schwarz	Nero	Negro



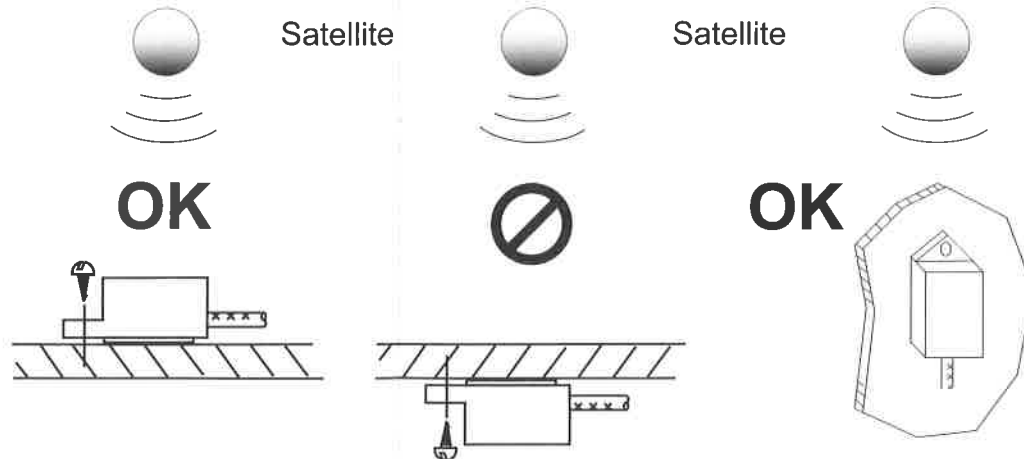
Pin 1	White	Kanal Hi	Plus
Pin 2	Green	Kanal Lo	Minus
Pin 3	Red	PLUS	Power
Pin 4	Black	MINUS	Ground



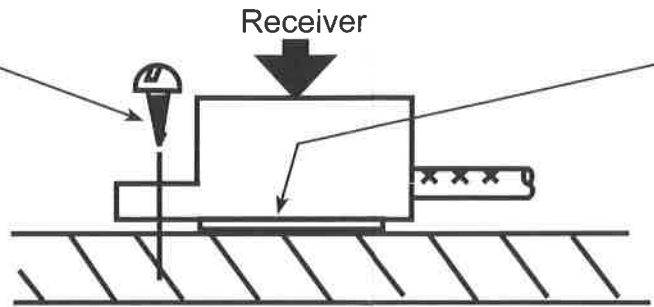
- Disconnect battery before wire connections.
- The Veethree GPS Speedometer displays analog SOG (speed over ground) and digital LCD COG (course over ground).
- All data is for Reference only. It should not be used as the only source for navigation. Loss of signal and atmospheric changes are possible.
- It may take 60 seconds or more for the receiver to acquire satellites when the unit is first turned on or if the signal is lost.
- The GPS Speedometer will display 0 MPH and 3 dashes on the COG until the signal is acquired from satellites.
- Below speeds of approximately 1.5 MPH (2.5 km/h) the speedometer will not display speed and the heading will remain fixed at the last heading displayed.
- The speedometer head is compatible with all receivers, also called antennae, outputting NMEA 0183 data. If you already have such a receiver in place, the Veethree receiver is not necessary.
- The connector and terminals for both the Power and Receiver are packaged with the GPS Speedometer head. This allows receiver cord to fit through smaller holes with the connectors being assembled at the end of the process. If using other than a Veethree receiver, A NMEA 0183 signal splitter is needed, then making it compatible.
- Connect battery after all wire connections.

1. Install

Installation
Installieren Sie
Installi
Instale



Mount with 1/4 Screw.
Fixer avec la vis 6mm.
Der Empfänger wird mit
1/4 Schrauben befestigt.
installi 1/4 ferramenta.
Abroche 1/4 tornillo de
madera.



Remove protective paper and stick receiver to surface.
Enlevez le papier protecteur et collez l'antenne sur la surface.
Die Schutzhülle von der Klebefolie des Empfängers entfernen und den Empfänger auf der Oberfläche befestigen.
Rimuova carta protettiva, il ricevitore incolla su superficie.
Retire papel de portada y fije a auricular a la superficie.

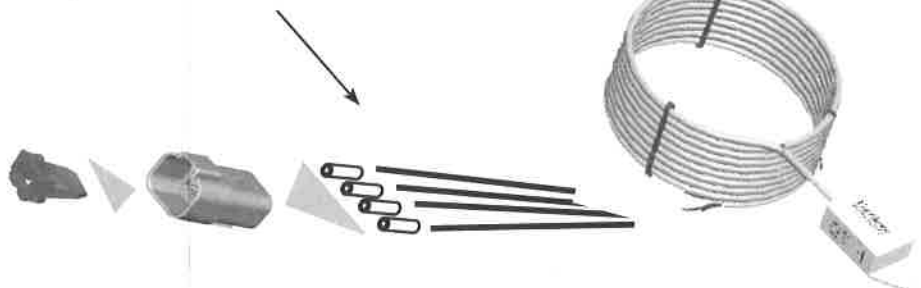
2. Wire Connection

Branchement connecteur
Verkabelung
Installi connettore
Conector de insta

Connector parts not included with Receiver.
IT IS included with GPS Speedometer.
Le connecteur d'antenne est livré avec le compteur de vitesse.
Verbindungsteile sind nicht im Lieferumfang des Empfängers sondern im Lieferumfang des GPS Geschwindigkeitsmessers enthalten.
Componenti di connettore non incluso con Ricevitore, ma incluso con Tachimetro GPS.
Partes de conector no incluido con el antena. Es incluido con Speedometer.

Route cable first. Crimp terminal on wire. Insert terminals into connector.
Passer le câble vers le cadran en premier. Sertir les broches sur les fils. Insérer les broches dans le connecteur (enclipsé) et rentrer la cale isolante.
Kabel werden als erstes verlegt. Dann die Anschlussklammern mit dem Kabel verbinden und die Anschlussklammern durch den Stecker führen.
Poi crespri tutti i terminali su cavo. Spinga tutti i terminali in connettore.
Coloque el cable primero. Presione terminales sobre cable. Inserte terminales en conector.

Cable can be cut to length.
Le câble peut être coupé selon la longueur nécessaire.
Das Kabel kann auf die passende Länge angepasst werden.
Il cavo può essere tagliato a lunghezza.
El cable puede ser cortado to Tamaño.



Pin 1	White	Kanal HI	Plus	Blanc	Weiß	Bianco	Blanco
Pin 2	Green	Kanal LO	Minus	Vert	Grün	Verde	Verde
Pin 3	Red	Plus	Power	Rouge	Rot	Rosso	Rojo
Pin 4	Black	Minus	Ground	Noir	Schwarz	Nero	Negro