



SHURFLO PROBLASTER™ II DELUXE 4.0

MARINE WASHDOWN PUMP – PRODUCT TECHNICAL DATA SHEET

OEM: 4248-153-A09
 AFTERMARKET: 4248-153-E09



APPLICATION:

Marine fresh or salt water wash-down installation.
 This pump may be used for general water transfer.

PUMP DESIGN:

Type: 4 Chamber Diaphragm pump
 Ports: 1/2" -14 NPSM-Male
 Liquid: 130°F [54°C] Max
 Dry-Prime: 6 feet [1.82 M]
 Run Dry: Yes
 Inlet Pressure: 30 PSI Max. [2.06 Bar]

ELECTRICAL:

Motor: 12V DC Permanent Magnet, Intermittent Duty.
 Protection: Thermal Overload, Automatic Restart
 Leads: 14 AWG, 14 3/4" [37 cm] Red +, 15" [38 cm] Black
 Fuse: 15 Amp Recommended
 Control: Shut-Off 60 PSI [4.1 Bar] ± 2 PSI [0.13 Bar]
 Re-start 45 PSI [3.1 Bar] ± 2 PSI [0.13 Bar]

MATERIALS OF CONSTRUCTION:

Housings: Polypro
 Valves/Seals: EPDM
 Diaphragm: Santoprene
 Hardware: Stainless Steel

AGENCY APPROVALS:

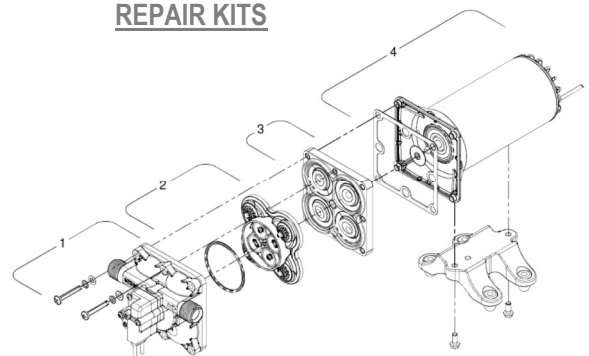
Ignition Protection 8846, CE, IMCI Certified

SHIPPING INFORMATION:

Approx. Net Weight: 7.9 Pounds [3.5 Kg] ea.
 Carton Qty.: 6
 Approx. Carton Weight: 50 Lbs. [22.6 Kg]
 Approx. Carton Size: 24" L X 18" W X 6" H [61cm x 46cm x 15cm]
 Retail (individual) box: 12" L X 6" W X 6" H [30cm x 15cm x 15cm]

- Aftermarket model includes:**
- 50 Mesh strainer: swivel straight adapter 1/2-14 NPT (hex-wing nut) x 1/2-14 NPS (male)
 - Pistol grip plastic spray nozzle
 - Fittings: swivel straight adapter 1/2-14 NPT (hex-wing nut) x 3/4 barb (Qty. 2)
 - Fitting: swivel straight adapter 1/2-14 NPT (hex-wing nut) x 3/4 NHR (Male) (Qty. 1)

REPAIR KITS



Number	Description	Part Number
*1	Upper Assembly	94-804-02
2	Valve Assembly	94-800-01
3	Drive Assembly	94-801-02
4	Motor/Gasket	94-71-001-07
*1,2,3	Pump Head	94-804-03
Not Shown	Check Valve	94-800-03

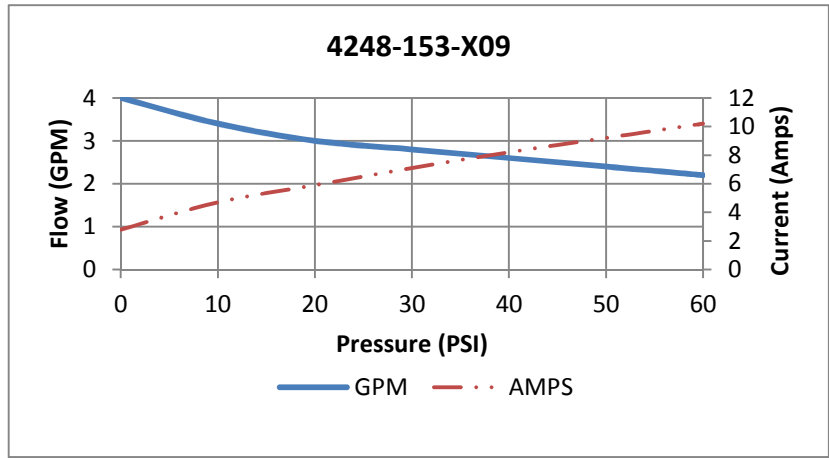
*With preset switch adjustment

RELATED DOCUMENTS:

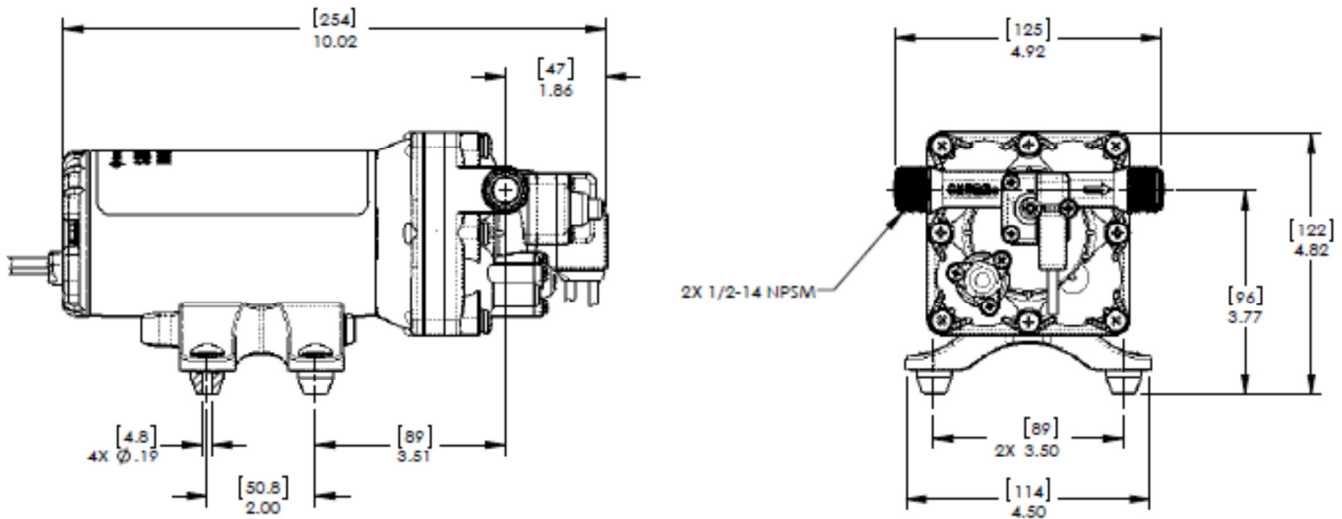
Catalog: MS-030-140
 App Guide Sheet: MS-020-005
 Installation Manual: 911-1035
 Aftermarket Warranty: 911-1045

TYPICAL PERFORMANCE AT 12V

PRESSURE		FLOW		CURRENT
BAR	PSI	GPM	LPM	AMPS
0	0	4.0	15.1	2.8
0.7	10	3.4	12.8	4.7
1.4	20	3.0	11.3	5.9
2.1	30	2.8	10.5	7.1
2.8	40	2.6	9.8	8.2
3.4	50	2.4	9.0	9.2
4.1	60	2.2	8.3	10



DIMENSIONS:



3545 Harbor Gateway South, Suite 103, Costa Mesa, CA 92626, (800) 854-3218 www.SHURFLO.com

All Pentair trademarks and logos are owned by Pentair, Inc. All other brand or product names are trademarks or registered marks of their respective owners. Because we are continuously improving our products and services, Pentair reserves the right to change specifications without prior notice. Pentair is an equal opportunity employer.

4248-153-A09 [E09] Rev. 08/15 2012- 2015 ©Pentair, Inc. All Rights Reserved.