

MARINE PRODUCT DATA SHEET

OEM: 5902-2212 (High Flow System 5.0)
AFTERMARKET: 5902-2212 (High Flow System 5.0)

APPLICATION

Multi-fixture marine fresh water installations. Other uses may include 12V DC pressurized water systems in cabins. This pump may be used for general fresh water transfer.



The most advance system available, these fully-automatic, quiet units deliver water smoothly and consistently. Self-priming, corrosion-resistant and NSF certified tank (Pump/Accumulator Combos).

PUMP:

Type: 5 Chamber Diaphragm
 Ports: Quick Connect Fittings
 Liquid: 130 °F [54 °C] Max
 Dry-Prime: 6 feet [1.82 M]
 Inlet PSI: 30 PSI [2.1 Bar] Max
 Run Dry: Yes

ELECTRICAL:

Motor: 12VDC Permanent Magnet, Intermittent Duty
 Protection: Thermal Overload, Automatic Restart
 Leads: 14 AWG, 16" [40 cm] Red +, 13" [33 cm] Black -
 Fuse: 20 Amp Recommended
 Control: Adjustable Switch. Shut-Off 45 PSI [3.1 Bar] ± 5 PSI [0.4 Bar] Restart 25 PSI [1.8 Bar] ± 5 PSI [0.4 Bar]

MATERIALS:

Housing: Nylon
 Valves: EPDM
 Diaphragm: Santoprene
 Hardware: Stainless Steel
 Tank: Stainless Steel

APPROVALS:

Ignition Protection 8846, CE, Tank: NSF 18

WARRANTY:

3 Year Limited Warranty.
 Contact SHURflo for details

SHIPPING:

Net Weight (boxed): 21 Lbs [9.5 Kg] each
 Carton Quantity: 1
 Approx. Carton Size: 18"L x 15"W x 16"H
 [45.7cm x 38.1cm x 40.6cm]

RELATED DOCUMENTS:

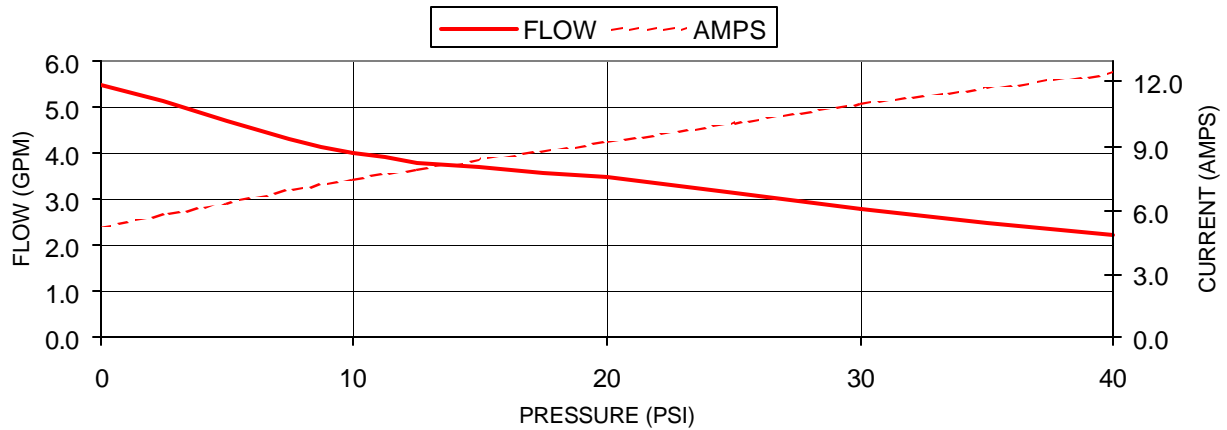
Catalog: MS-030-140
 Installation Manual: 911-670
 Applications Spec Guide: MS-020-005

Repair Kits

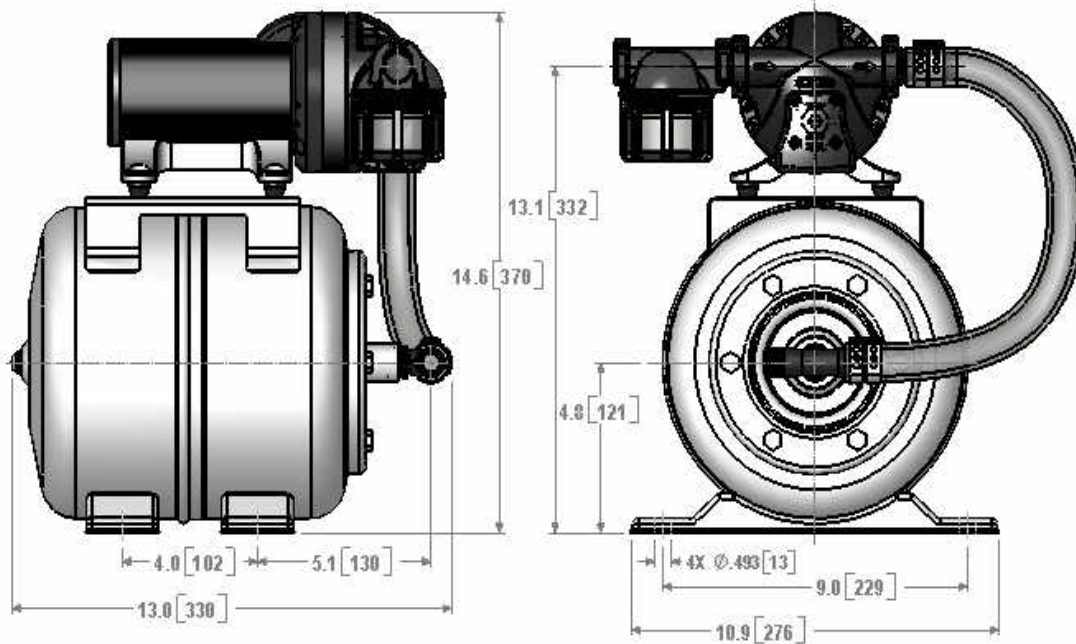
Number	Components	Parts Kits
1	Pressure Switch	94-069-00
2	Upper Housing	94-670-02
3	Valve Assembly	94-030-01
4	Drive Assembly	94-030-02
5	Motor (no base)	94-77-007-17
Not Shown	SS Tank	3400-002

TYPICAL PERFORMANCE

PRESSURE		FLOW		CURRENT
BAR	PSI	GPM	LPM	AMPS
0.0	0	5.5	20.8	5.2
0.7	10	4.0	15.1	7.5
1.4	20	3.5	13.2	9.2
2.1	30	2.8	10.5	11
2.8	40	2.2	8.3	12.4



DIMENSIONS [mm]



Visit our Web Site at <http://www.shurflo.com>
 Shurflo reserves the right to update specifications,
 change prices, or make substitutions without notice.

SHURflo
 5900 Katella Avenue
 Cypress, CA 90630
 Phone (562) 795-5200
 Toll Free (800) 854-3218
 Fax (562) 795-7564

SHURflo East
 52748 Park Six Court
 Elkhart, IN 46514-5427
 Phone (562) 795-5200
 Toll Free (800) 854-3218
 Fax (574) 264-2169

SHURflo Europe, Middle East, Africa
Pentair Water Belgium bvba
 Industriepark Wolfstee, Toekomstlann 30
 B-2200 Herentals, Belgium
 Phone +32-14-283500
 Fax +32-14-283505



Pentair Water
FLOW TECHNOLOGIES GROUP
 5900 Katella Ave, Cypress, CA 90630
 Phone (800) 854-3218 • (562) 795-5200 • Fax (562) 795-7564
www.shurflo.com