



ACR RCL-50B

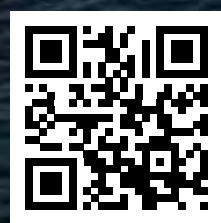
12V 80,000 CD Remote-Controlled Searchlight



SEARCHLIGHTS



THE SCIENCE OF SURVIVAL



Scan With Phone
www.ACRARTEX.com



ACR RCL-50B

12V 80,000 CD Remote-Controlled Searchlight



Designed for small- to mid-size pleasure craft and small commercial vessels, this rugged searchlight features the same salt water resistant construction as pricier models, along with the feature-rich Point Pad™ fingertip remote control (one included, up to three remote units may be installed).

Application: Small to mid-size pleasure, small commercial crafts

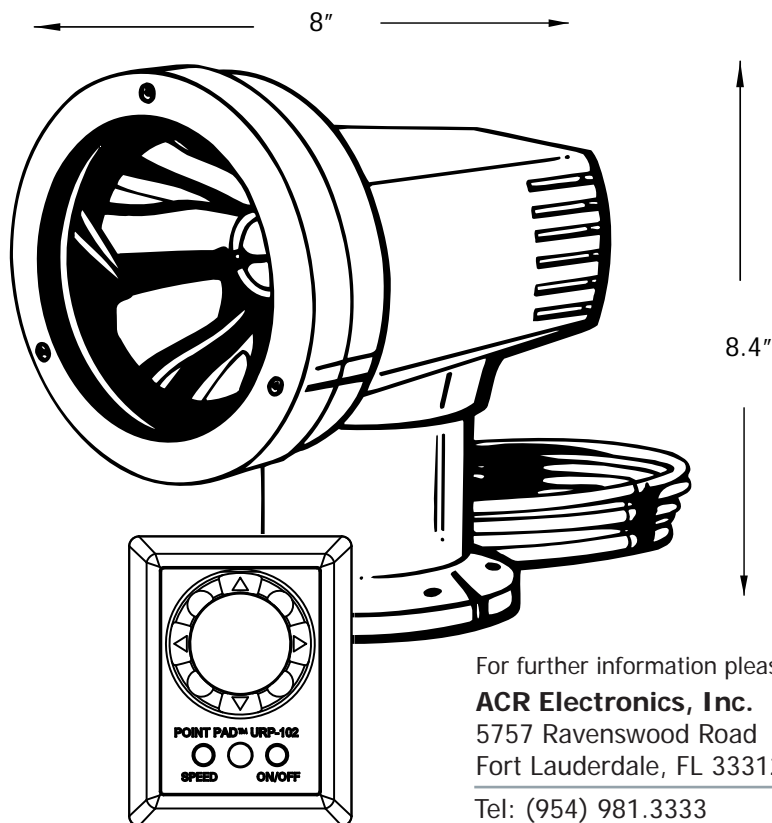
- Controller has state of the art electronics to protect light from most power surges
- Soft On and Off increases bulb life
- Internal elevation mechanism for precise pitch control of beam; protects elevation mechanism from weather
- Die-cast with the most corrosion-resistant grade aluminium alloy available

- Exclusive XRCiZ™ feature rotates and moves light assembly every 30 days from activation to keep all bearing surfaces free of corrosion and all electrical contacts functional
- Salt water resistant construction with nylon and phenolic washers, aluminized stainless steel screws with insulating lubricant
- Wiring harness 12ft. (3.65 m)

SPECIFICATIONS

Product Number	1939.3
Size	8.4 x 6 x 8" (21.3 x 15.2 x 20 cm)
Weight	6.2 lbs (2.8 kg)
Material	Die cast aluminum (518)
Color	White
Operation	Remote controlled Point Pad™
Beam Angle	7°
Elevation Angle	20° up, 20° down
Rotation	360° continuous
Rotation Speed	15° per second,
Elevation Speed	6° per second
Lamp	High intensity 55W Halogen
Accessories	Secondary Point Pad™ (P/N 9282.3) Replacement lamps (P/N 6002)
Footprint Diameter	4.75" (120.7 mm)
Limited Warranty	1 Year
Carton Dimensions	12.5 x 8 x 11.5 (32 x 20 x 29 cm)
Carton Weight	9 lbs (4.0 kg)

- 12v 80,000 candela
- High efficiency electronics
- Use Point Pad™ for remote unit access
- Ergonomic, compact design
- 55w halogen bulb
- Exclusive XRCiZ™ feature
- Marine tough design for years of useful service



For further information please contact:

ACR Electronics, Inc.
5757 Ravenswood Road
Fort Lauderdale, FL 33312

Tel: (954) 981.3333
Fax: (954) 983.5087
Email: sales@acrartex.com