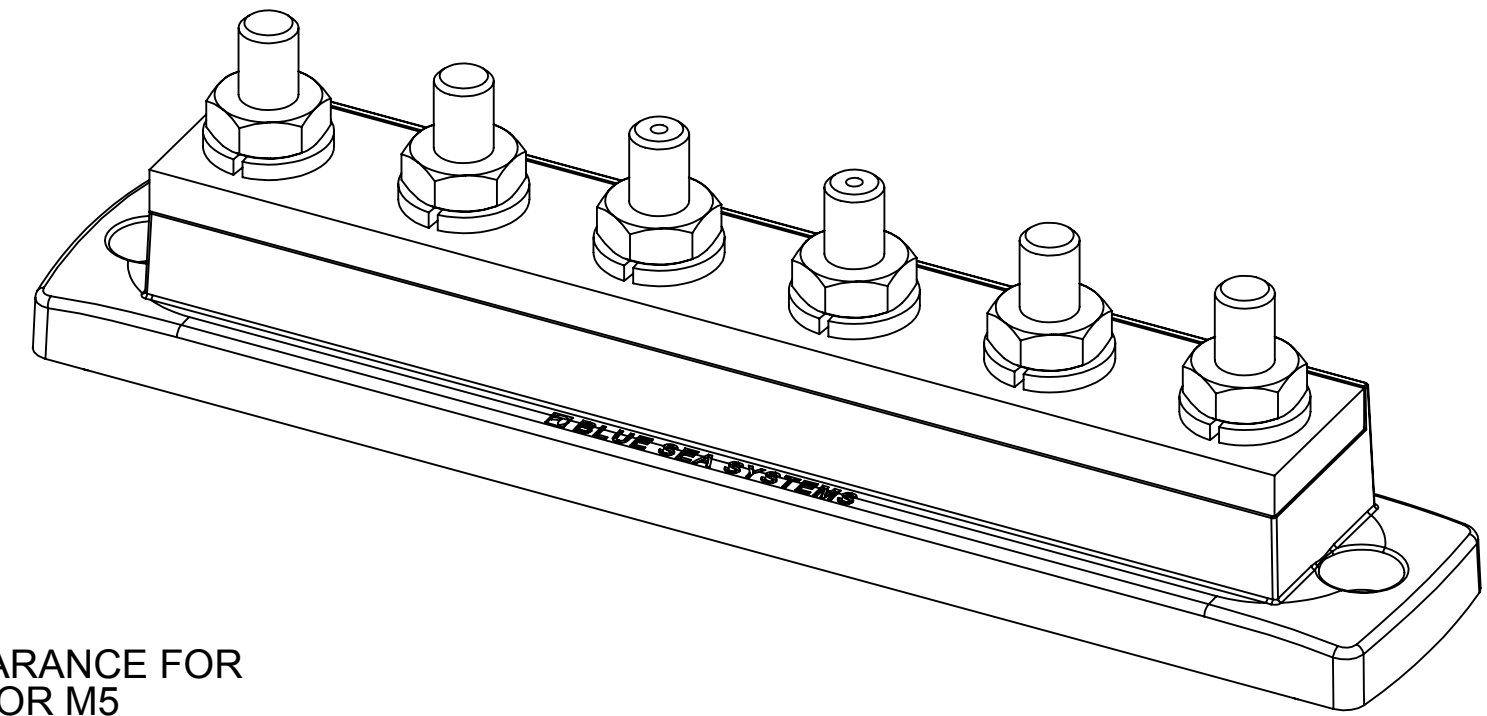
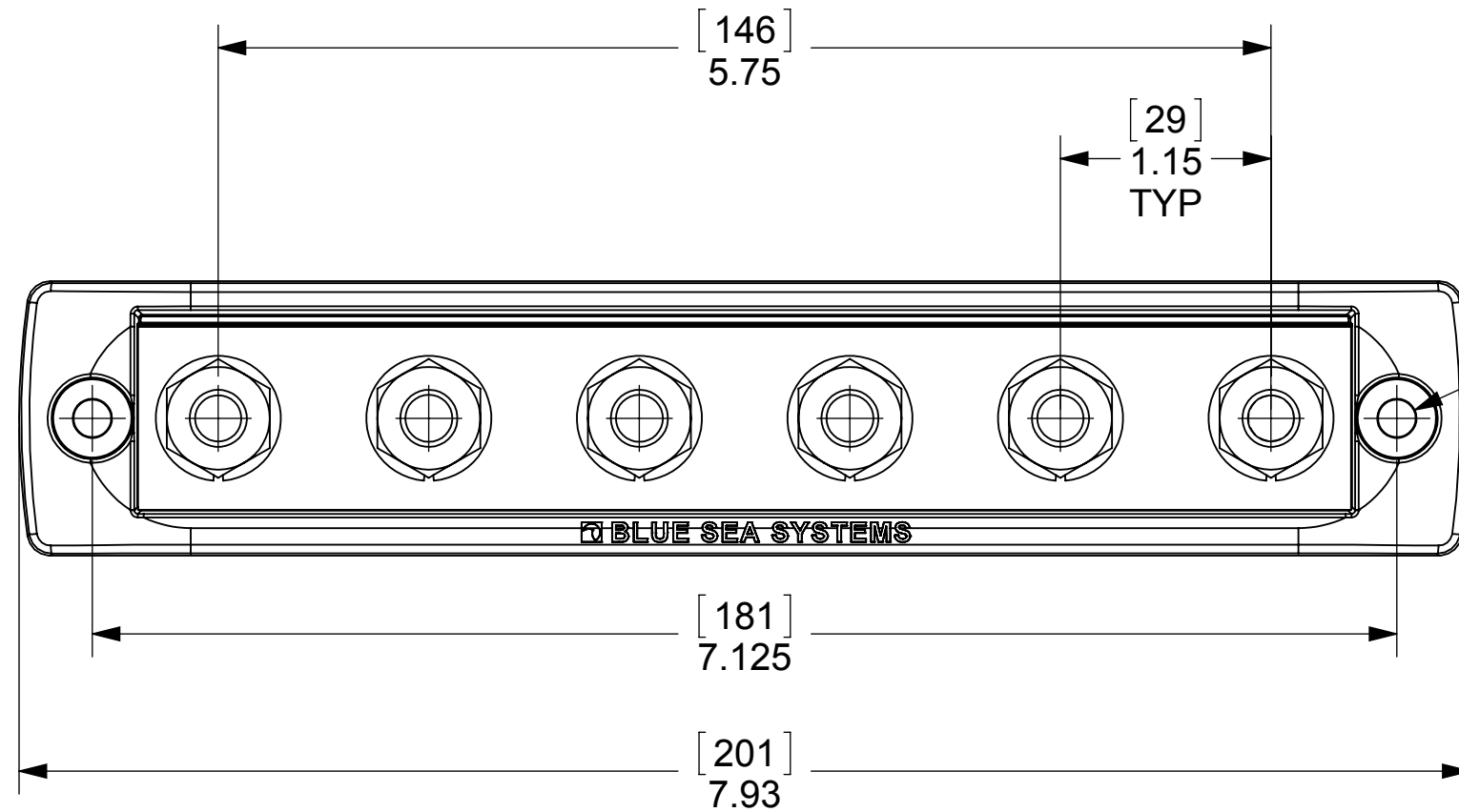
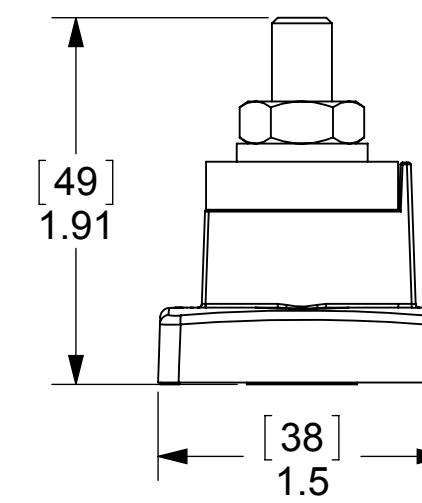
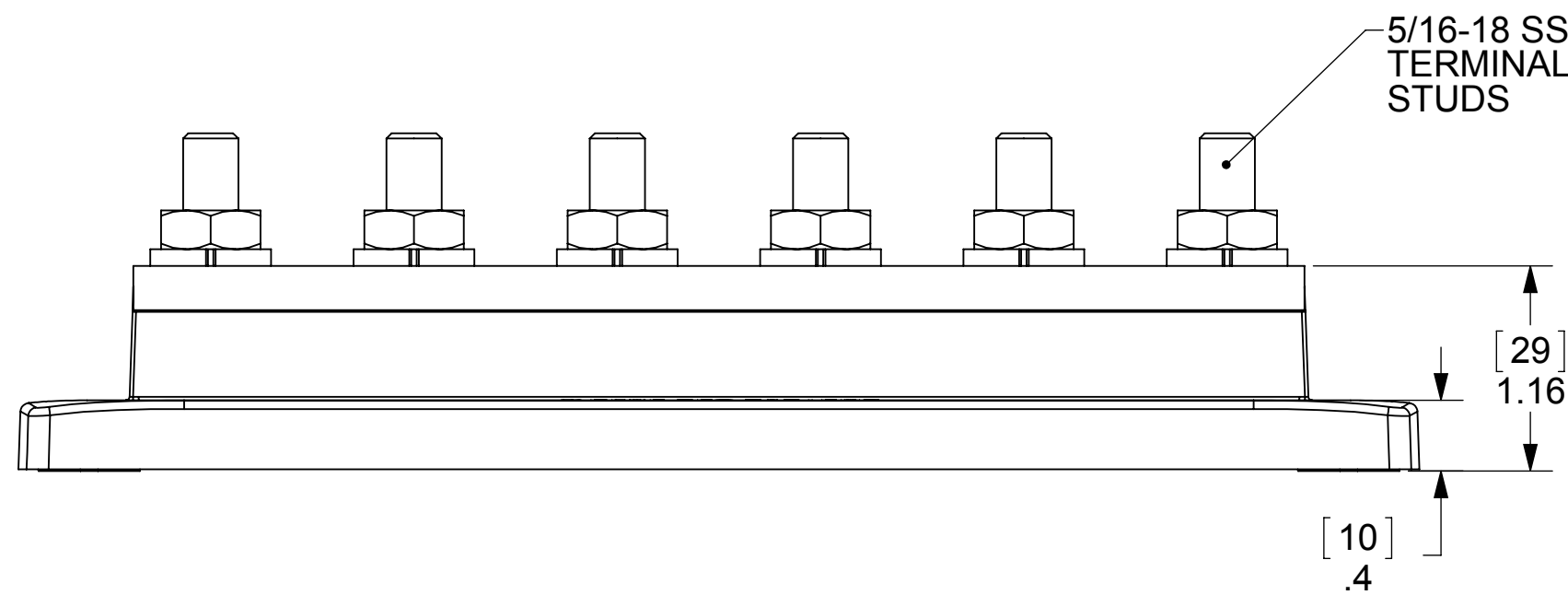


THIS DRAWING AND THE INFORMATION CONTAINED WITHIN IT ARE CONFIDENTIAL AND MAY NOT BE COPIED OR DISCLOSED WITHOUT THE WRITTEN PERMISSION OF BLUE SEA SYSTEMS.

REVISIONS				
ZONE	REV.	DESCRIPTION	DATE	APPROVED
	1	PRODUCTION RELEASE	2012.3.27	S. SCHANKEN



CLEARANCE FOR #10, OR M5 MOUNTING HARDWARE



THIRD ANGLE PROJECTION



DIMENSIONS ARE SHOWN IN INCHES AND [MILLIMETERS]. UNSPECIFIED TOLERANCES ARE:

ANGLES	INCH	MM
±0°30'	.000±.002	.00±.051
	.00±.005	.00±.127
	.00±.010	.0±.254

MATERIAL: --
FINISH: --
DO NOT SCALE DRAWING

	NAME	DATE
DRAWN	T.DYKAS	2011.05.17
CHECKED	-	-
	-	-
	-	-
	-	-

COMMENTS: --

BLUE SEA SYSTEMS

425 Sequoia Drive Bellingham, WA 98226
Phone (360)738-8230 Fax (360)734-4195

MAXibus 6 x 5/16 Stud Common

Part Number: 2126

SIZE	DWG. NO.	REV.
C	2126 MAXibus 6 x 5/16 Stud Common	1

SCALE 1:1 WEIGHT: NOT SPECIFIED SHEET 1 OF 1